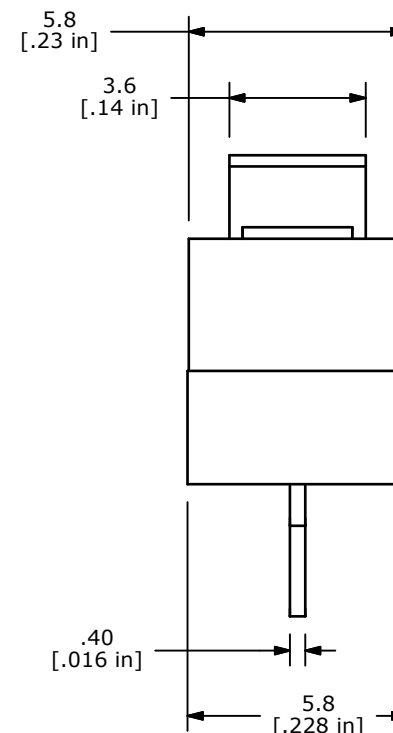
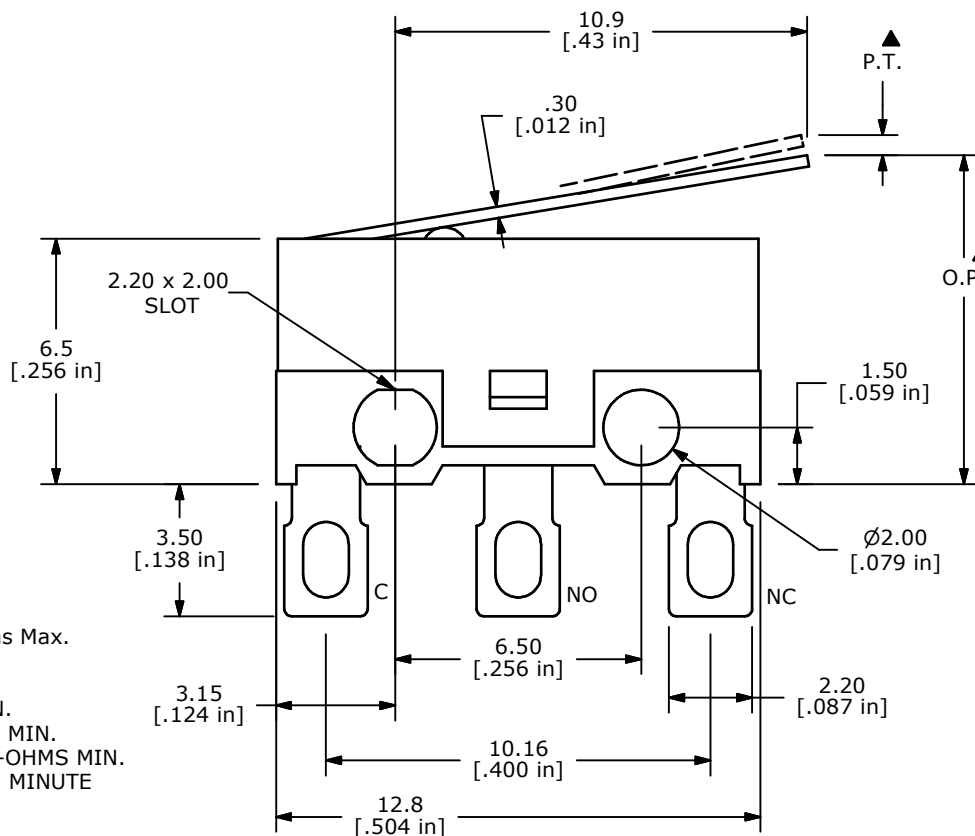


O.P. (MM)	P.T. (MM)
8.8 ±0.8	1.60 MAX.

O.P. = OPERATING POINT
P.T. = PRE-TRAVEL



- NOTES:
1. ALL DIMENSIONS IN MM [INCH]
 2. GENERAL TOLERANCE: X.X±0.4
X.XX±0.25
 - ▲ 3. RATING: 0.1A @125VAC UL
 4. CONTACT RESISTANCE: 100 Milli-Ohms Max.
 - ▲ 5. OPERATING FORCE: 40 ± 15 GRAMS
 6. OPERATING TEMP: -25°C TO 75°C
 7. ELECTRICAL LIFE: 10,000 CYCLES MIN.
 8. MECHANICAL LIFE: 1,000,000 CYCLES MIN.
 9. INSULATION RESISTANCE: 100 MEGA-OHMS MIN.
 10. DIELECTRIC STRENGTH: 1,500VAC - 1 MINUTE
 11. ▲ DENOTES CRITICAL PARAMETER.
 12. PACKAGED 120 PARTS PER TRAY.
 13. 2002/95/EC (ROHS) COMPLIANT.



REV	PCR NO	DESCRIPTION	DATE	BY
B	18157	REMOVE CE APPROVED FROM NOTES	6/24/08	BLR
A	18076	RELEASE FOR PRODUCTION	5/2/08	BLR

TITLE SS075Q101F040S1A				
SCALE 5:1	DATE 6/24/2008	DR BLR	DWG Q971015	REV B

THE INFORMATION CONTAINED IN THIS DOCUMENT IS PROPRIETARY TO E-SWITCH AND IS NOT TO BE COPIED OR TRANSFERRED